

PRESS INFORMATION

Universal motorcycle front light holder 'Next Generation'

D-Breisach, 9th June 2018 Brackets for headlamps are not new but the one of WUNDERKIND-Custom which was completely developed from scratch is a symbiosis of a plain design and an excellent functionality.

The re-developed lamp holder has a more reduced height at its clamps and arms, so that it has become a more discreet appearance in contrast to its predecessor. A further upgrade is that the 'Next Generation' also allows a mounting of turn signals at its arms (thread size M8).

Practically remain the 2-piece clamp which allows a simple and fast mounting because a removing of the upper triple clamp is not necessary. As the previous version, also the upgraded bracket can be universally used for different sizes of headlamps as it adapts to the width of the housing.

The CNC-milled parts are available for 20 different fork diameters: from 37 up to 58 millimeters. A further advantage: Depending on the front end you can choose between a short version (clamping arm of 55 mm) and a long version (clamping arm of 75 mm).

Price per pair: EUR 159,00 incl. VAT

More information under: wunderkind-custom.com



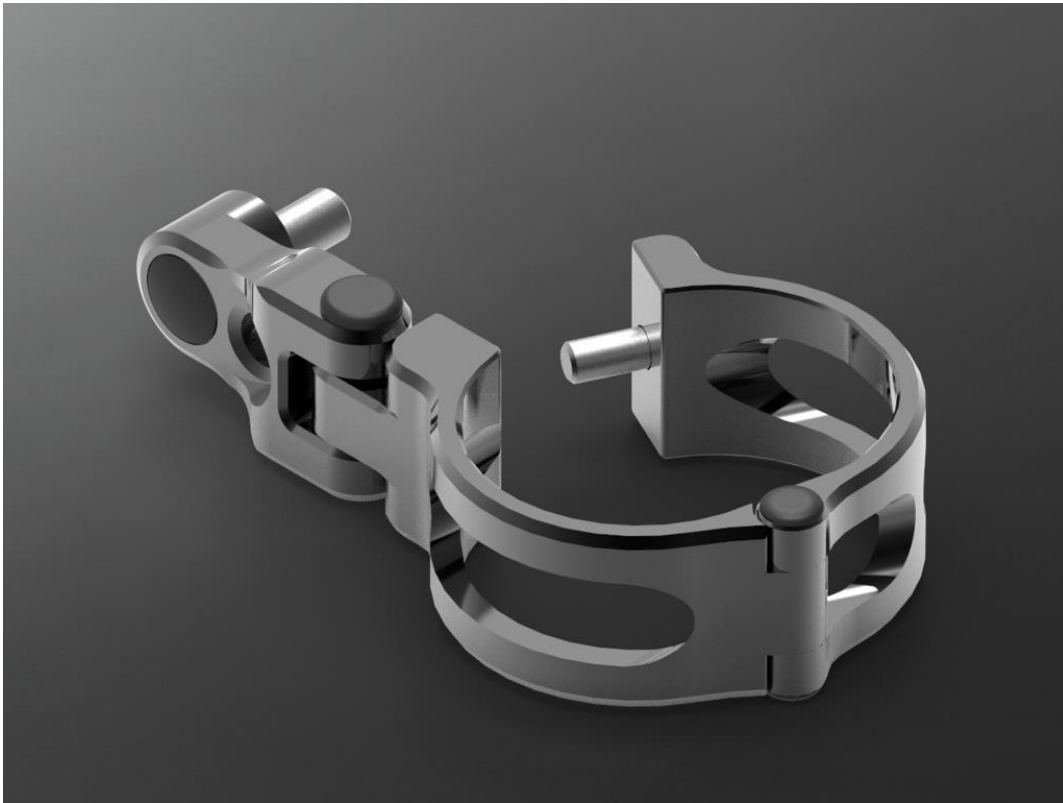
Picture 1 of 6: WUNDERKIND-Custom headlamp bracket, version: short arms



Picture 2 of 6: Front light holder 'Next Generation', version: long arms



Picture 3 of 6: 2-piece clamp for fast and simple mounting



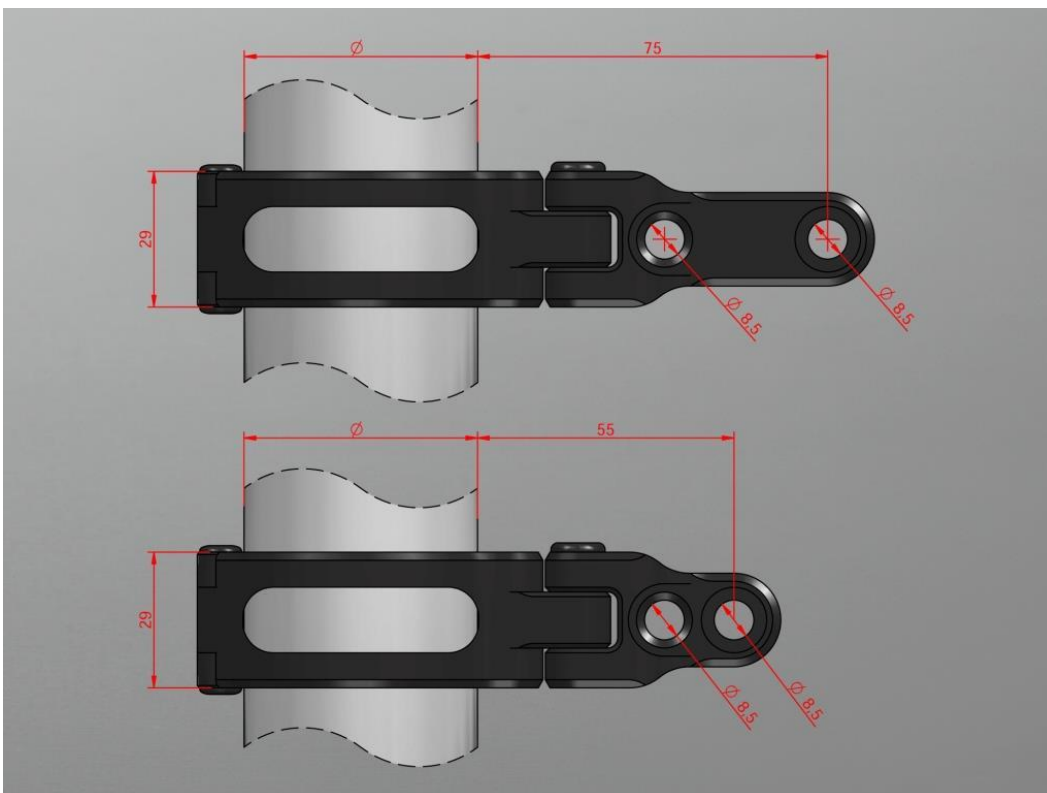
Picture 4 of 6: Available for 20 different fork diameters



Picture 5 of 6: Flexible - adapts to the width of the headlamps' housing



Picture 6 of 6: Drill holes (M8) for mounting turn signals



Press contact

WUNDERKIND-Custom

A brand of

ABM Fahrzeugtechnik GmbH

Tamina Bischoff

Krummholzstrasse 5

D-79206 Breisach am Rhein

Tel. +49 (0) 7667 / 9446 – 13

Fax +49 (0) 7667 / 9446 - 63

E-Mail: tamina@wunderkind-custom.com

Internet: wunderkind-custom.com

Facebook: WUNDERKIND-Custom

WUNDERKIND-Custom is a German premium brand of ABM which produces high-end accessories for motorcycles. It has been founded in 2013 by family head and CEO Christian Mehlhorn. While in the beginning the brand produced parts only for Harley-Davidson motorcycles it now contains also products for many common bike brands and custombikes. All products are constructed, designed, manufactured and retailed under the umbrella of the well-known company ABM Fahrzeugtechnik GmbH in the south of Germany.

ABM Fahrzeugtechnik GmbH is manufacturer of high-end accessories for sport and custom bikes. The company was founded in 1985 and named after the founder Arthur Berthold Munz. Since 2010, Christian Mehlhorn has been the managing director who is responsible for about twenty employees in the field of development, production, marketing and sales at the permanent business establishment in Breisach am Rhein, Germany. Meanwhile, the company has launched two brands: ABM ergonomic style & WUNDERKIND-Custom.

